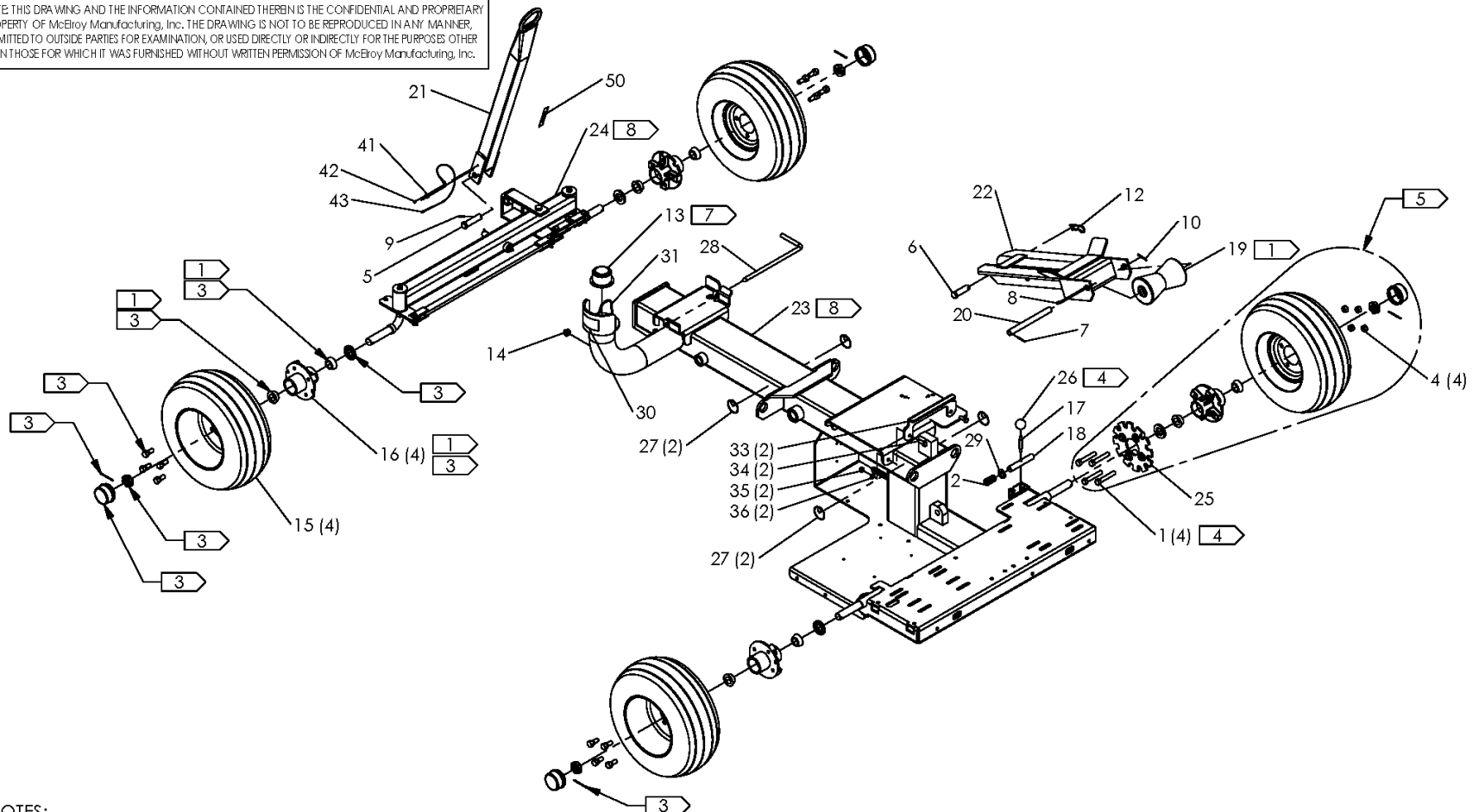


#412/#618 GAS/ELECTRIC ROLLING CHASSIS ASSEMBLY

NOTE: THIS DRAWING AND THE INFORMATION CONTAINED THEREIN IS THE CONFIDENTIAL AND PROPRIETARY PROPERTY OF McElroy Manufacturing, Inc. THE DRAWING IS NOT TO BE REPRODUCED IN ANY MANNER, SUBMITTED TO OUTSIDE PARTIES FOR EXAMINATION, OR USED DIRECTLY OR INDIRECTLY FOR THE PURPOSES OTHER THAN THOSE FOR WHICH IT WAS FURNISHED WITHOUT WRITTEN PERMISSION OF McElroy Manufacturing, Inc.



NOTES:

1. PACK WHEEL HUB AND BEARINGS AND FILL PIPE LIFT ROLLER WITH EP GREASE.
- 2.
3. ITEM 16 MIB00001 INCLUDES : (1) MBD00041 AXLE NUT, (1) MCH00005 COTTER PIN, (1) MDL00120 SEAL, (2) MDM00189 TAPERED ROLLER BEARING CONES, (1) MIB00011 GREASE CAP, AND (4) LUG BOLTS. THE PART NO.'S SHOWN MAY BE ORDERED SEPARATELY.
4. INSTALL WITH MEDIUM STRENGTH THREAD LOCKER.
5. WHEN ORDERING REPLACEMENT PARTS FOR BRAKE WHEEL ASSEMBLY, DISCARD LUG BOLTS SUPPLIED WITH WHEEL AND TIRE ASSEMBLY AND ORDER (4) 'ITEM 1' MAB00165 AND (4) 'ITEM 4' MBH00061 TO ENSURE PROPER THREAD ENGAGEMENT.
6. ITEMS SHOWN IN PARENTHESIS REFLECT QUANTITIES IN A LOCAL GROUP AND MAY NOT INDICATE TOTAL ASSEMBLY QUANTITIES.
7. REMOVE PLASTIC BEAD CHAIN AND REPLACE WITH STEEL BEAD CHAIN ITEM 31.
8. MACHINES BUILT THROUGH Q1 2019 WITH PIVOT CENTERED IN AXLE WELDMENT USED 1871135 CHASSIS AND 1869601 AXLE ASSEMBLY.
- 9.

McElroy Manufacturing Parts List

Part Number: 1869501 412/618 Gas/Electric Rolling Chassis Assembly

Part Number 1869501 Component List

Item	Component	Description	Quantity	Unit	Price
1	MAB00165	1/2-20NFX3LG Hhcs-full Thread	4.0	EA	10.71
2	MJE00028	Compression Spring	1.0	EA	8.08
4	MBH00061	1/2-20NF Lug Nut	4.0	EA	2.09
5	MCF00004	3/4DIAX2-27/32 Grip Clv Pin PL	1.0	EA	10.28
6	MCF00016	3/4DIAX2-11/32GRIP Clv Pin PL	2.0	EA	6.55
7	MCG00024	1/8DIAX1-1/2LG Roll Pin	1.0	EA	0.33
8	MCG00028	1/4DIAX1/2LG Roll Pin	1.0	EA	0.17
9	MCH00001	1/8DIAX1LG Cotter Pin	1.0	EA	0.12
10	MCH00004	1/8DIAX1-1/4LG Cotter Pin	1.0	EA	0.12
12	MCH00021	3/4DIAX2-11/16LG Hair Pin	2.0	EA	1.92
13	MFK00004	Black Filler Cap	1.0	EA	68.52
14	MFJ00013	Oil Eye Lense & O-ring	1.0	EA	21.26
15	MIA00005	Wheel & 16.5 X 6.50 Tire Assy	4.0	EA	199.00
16	MIB00001	Hub W/ BRG,SEAL,CAPS&(4) Nuts	4.0	EA	94.07
17	MJJ00028	Handle Shaft	1.0	EA	42.93
18	1871601	Brake Plunger (Effective 11/1/04 to 5/9/18)	1.0	EA	75.13
18	1871602	Brake Plunger	1.0	EA	53.92
19	802105	Pipe Lift Roller W/zerk	1.0	EA	225.00
20	812802	12/18 Pipe Lift Roller Shaft	1.0	EA	39.74
21	1209402	Tow Bar Weldment	1.0	EA	331.00
22	1855401	Pipe Lift Arm Weldment	1.0	EA	486.00
23	1871101	Chassis Wld (Effective 3/27/03 to 3/4/14)	1.0	EA	5,733.00
23	1871135	Chassis Wld (Effective 3/5/14 to 11/25/18)	1.0	EA	5,404.00
23	1871136	Chassis Wld	1.0	EA	5,404.00
24	1869601	412/618 Front Axle Assembly (Effective 3/24/03 to 11/25/18)	1.0	EA	1,363.00
24	1869602	412/618 Front Axle Assembly (Offset Pivot)	1.0	EA	1,070.00
25	1871701	Brake Plate Wld	1.0	EA	173.00
26	MJJ00029	Red OR Black Ball Knob	1.0	EA	8.73
27	MJQ00379	Ylw, Blk Hook Lift Point Label	4.0	EA	5.87
28	T1203201	Carriage Lock Bar	1.0	EA	18.24
29	MBG00004	3/4 Type 'an' FL Wshr Stl PL	1.0	EA	1.02
30	8163106	Hyd Oil Specification Label	1.0	EA	10.23
31	MJQ00411	3/16" Steel Bead Chain	4.0	IN	0.60
32	MCH00015	3/8DIAX1-7/8LG Hair Pin (Effective 3/17/08 to 6/25/14)	1.0	EA	0.84
33	1871201	12/18 Ring Chassis Hook Plate	1.0	EA	48.21
34	MAB00064	3/8-16NCX1LG Hhcs	2.0	EA	0.49
35	MBA00007	3/8-16NC Fnsh Hex Nut Stl PL	2.0	EA	0.29
36	MBE00007	3/8 Reg Splt Lck Wshr Stl PL	2.0	EA	0.12
37	T5064601	Pipe Lift Valve Guard (Effective 10/18/16 to 6/25/24)	1.0	EA	137.00
38	MAB00042	5/16-18NCX3-1/4LG Hhcs (Effective 10/18/16 to 6/25/24)	2.0	EA	0.92
39	MBE00006	5/16 Reg Splt Lck Wshr Stl PL (Effective 10/18/16 to 6/25/24)	2.0	EA	0.11
40	MBA00006	5/16-18NC Fnsh Hex Nut Stl PL (Effective 10/18/16 to 6/25/24)	2.0	EA	0.33
41	MCE00003	1/4 DIAX3.00 Grip Detent Pin	1.0	EA	7.94
42	MAH00140	#6-32NCX1/4LG Hwh TC Screw	1.0	EA	0.49
43	MCK00099	3/64X6" 2-TERMINAL Lanyard	1.0	EA	5.50
44	T5042903	Spare Fuse Holder Assy (Effective 9/24/20 to 7/27/23)	1.0	EA	0.00
45	MLQ00078	15 Amp Non-rejection Fuse (Effective 9/24/20 to 7/27/23)	2.0	EA	37.00
46	MAB00003	1/4-20NCX3/4LG Hhcs (Effective 9/24/20 to 7/27/23)	2.0	EA	0.31
47	MBA00005	1/4-20NC Fnsh Hex Nut Stl PL (Effective 9/24/20 to 7/27/23)	2.0	EA	0.32

McElroy Manufacturing Parts List

Part Number: 1869501 412/618 Gas/Electric Rolling Chassis Assembly

48	MBE00005	1/4 Reg Splt Lck Washer Stl PL (Effective 9/24/20 to 7/27/23)	2.0 EA	0.10
49	MBF00005	1/4 TY 'a' Wide FL Wshr Stl PL (Effective 9/24/20 to 7/27/23)	2.0 EA	0.11
50	8163220	Towing Speed Label	1.0 EA	5.20

Please visit <https://fusion.mcelroy.com/parts> to purchase parts or for more information.



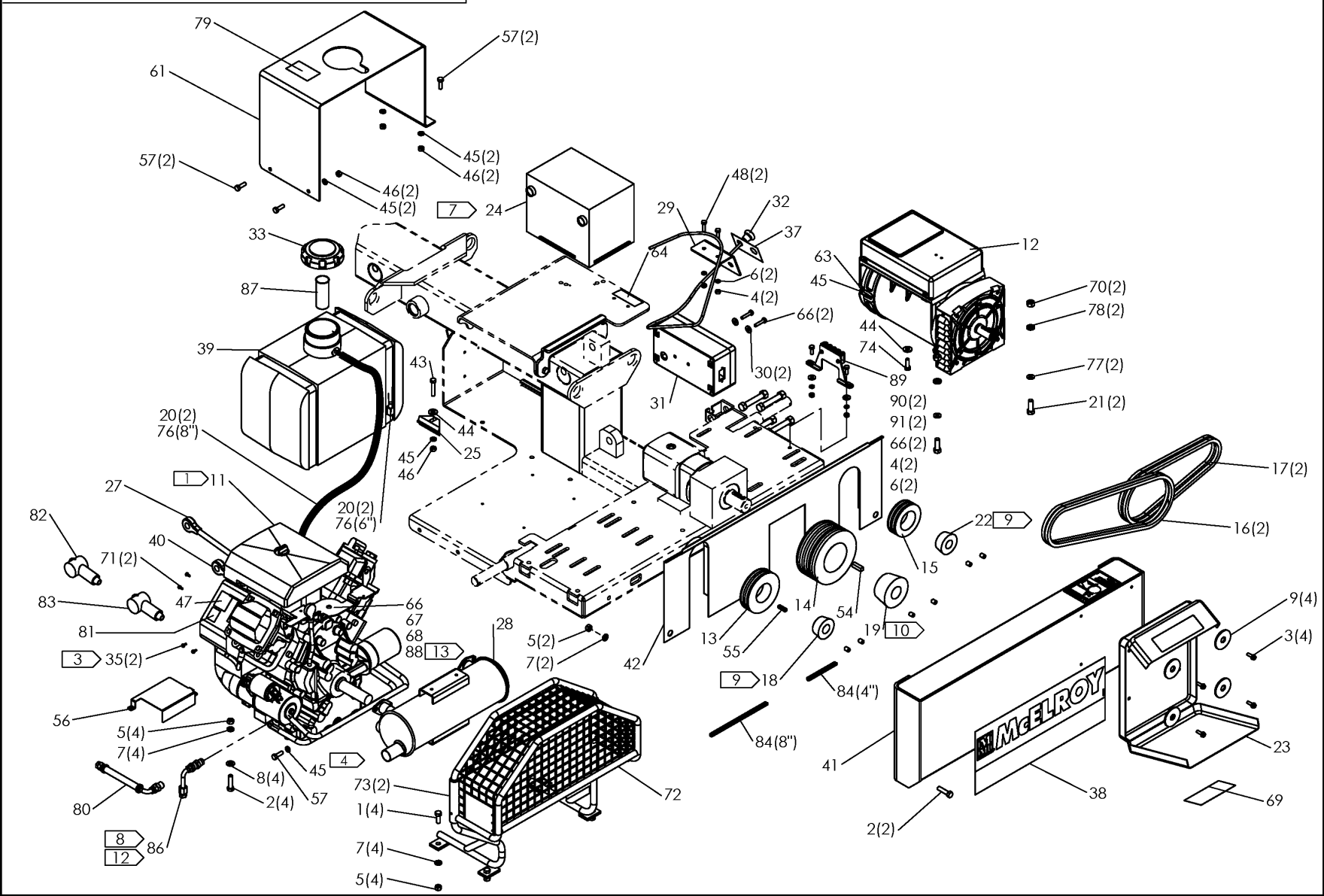


McElroy Manufacturing, Inc.
The leader by design.
Tulsa, Oklahoma U.S.A.

DRAWN: ERA	CHECK: MJA	APPRVD: MRP	DATE: 12/23/10	SHT No: 1A	REV No: S	PART No: 1880001
------------	------------	-------------	----------------	------------	-----------	------------------

#412/#618 GFCI GAS POWER ASSEMBLY

NOTE: THIS DRAWING AND THE INFORMATION CONTAINED THEREIN IS THE CONFIDENTIAL AND PROPRIETARY PROPERTY OF McElroy Manufacturing, Inc. THE DRAWING IS NOT TO BE REPRODUCED IN ANY MANNER, SUBMITTED TO OUTSIDE PARTIES FOR EXAMINATION, OR USED DIRECTLY OR INDIRECTLY FOR THE PURPOSES OTHER THAN THOSE FOR WHICH IT WAS FURNISHED WITHOUT WRITTEN PERMISSION OF McElroy Manufacturing, Inc.

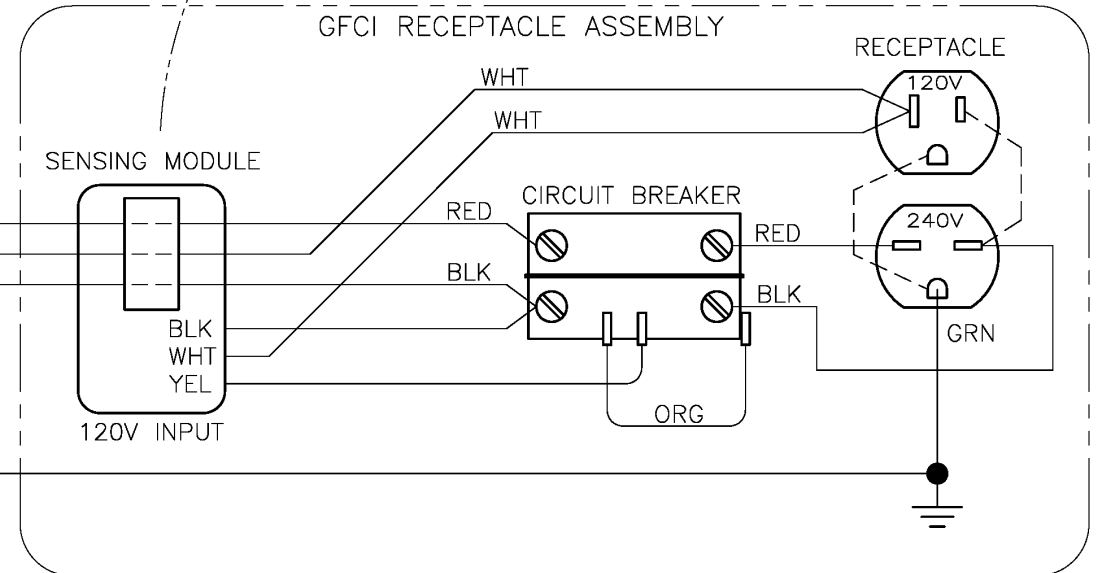
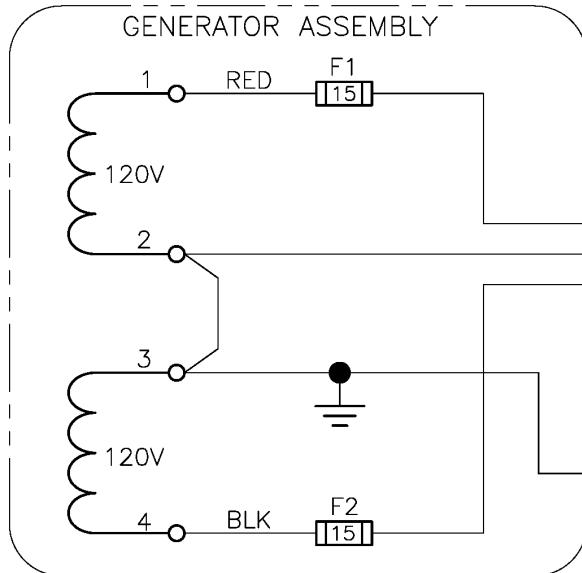
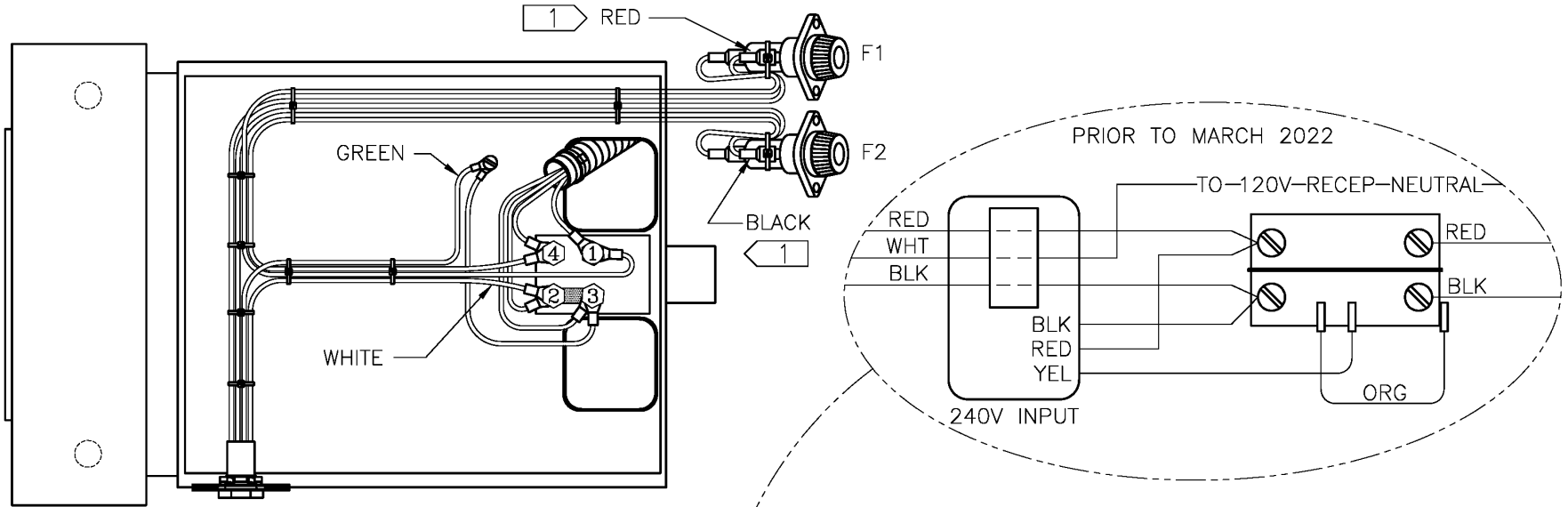




NOTE: THIS DRAWING AND THE INFORMATION CONTAINED THEREIN IS THE CONFIDENTIAL AND PROPRIETARY PROPERTY OF McElroy Manufacturing, Inc. THE DRAWING IS NOT TO BE REPRODUCED IN ANY MANNER, SUBMITTED OUTSIDE PARTIES FOR EXAMINATION, OR USED DIRECTLY OR INDIRECTLY FOR THE PURPOSES OTHER THAN THOSE FOR WHICH IT WAS FURNISHED WITHOUT WRITTEN PERMISSION OF McElroy Manufacturing, Inc.

NOTES:

1. SECURE FUSE WIRES TO FUSE HOLDERS WITH CABLE TIES AS SHOWN.
2. BUNDLE WIRES WITH CABLE TIES TO LIMIT VIBRATION.





McElroy Manufacturing, Inc.

The leader by design.

Tulsa, Oklahoma U.S.A.

DRAWN: ERA

CHECK: MJA

APPRVD: MRP

DATE: 12/23/10

SHT No: 1C

REV No: S

PART No: 1880001

#412/#618 GFCI GAS POWER ASSEMBLY

NOTE: THIS DRAWING AND THE INFORMATION CONTAINED THEREIN IS THE CONFIDENTIAL AND PROPRIETARY PROPERTY OF McElroy Manufacturing, Inc. THE DRAWING IS NOT TO BE REPRODUCED IN ANY MANNER, SUBMITTED TO OUTSIDE PARTIES FOR EXAMINATION, OR USED DIRECTLY OR INDIRECTLY FOR THE PURPOSES OTHER THAN THOSE FOR WHICH IT WAS FURNISHED WITHOUT WRITTEN PERMISSION OF McElroy Manufacturing, Inc.

NOTES:

1. ITEM 11 MDA00034 INCLUDES (1) MDA00164 VOLTAGE REGULATOR, (1) MDA00194 STARTER, (1) MDA00195 OIL FILTER, (1) MDA00294 OIL DIP STICK, (1) MDA00039 KEY SWITCH, (1) MDA00273 DUPLICATE KEY SET, (1) MDA00038 STARTER HARNESS, (1) MDA00043 FUEL FILTER, (1) MDA00044 AIR FILTER, (1) MDA00045 AIR PRECLEANER, (1) MDA00051 VALVE COVER KIT, (2) MDA00069 MUFFLER GASKETS, (4) MDA00070 MUFFLER NUTS, AND (1) MKH00087 DIGITAL TACH. & HOUR METER. THESE PARTS MAY BE ORDERED SEPARATELY.
2. FOR ENGINE ELECTRICAL HOOKUP SEE DRAWING 1856001.
3. USE TWO OF ITEM 35 (MAH00036) SCREW TO MOUNT ENGINE WIRING HARNESS PLUG TO ENGINE.
4. ATTACH BATTERY GROUND TO ENGINE BLOCK.
5. REMOVE COMMONING JUMPER TAB FROM RECEPTACLE.
6. ITEMS SHOWN IN PARENTHESES REFLECT QUANTITIES IN A LOCAL GROUP AND MAY NOT INDICATE TOTAL ASSEMBLY QUANTITIES.
7. FOR REPLACEMENT BATTERY, SEE LOCAL RETAILER.
8. APPLY TEFLON TAPE TO PIPE THREADS AND TIGHTEN TO 10FTLBS MAX ON ENGINE BLOCK.
9. TORQUE SET SCREWS TO 175 LB-IN.
10. TORQUE SET SCREWS TO 430 LB-IN.
- 11.
12. TORQUE PLUG TO 22 LB-FT
13. ON NEW ENGINE REMOVE ADJUSTING BOLT AND NUT FROM THROTTLE LINKAGE, DISCARD THE ADJUSTING BOLT, INSTALL THE PREVIOUSLY REMOVED NUT ONTO ITEM 88 (MAR00009), INSTALL MAR00009 INTO THE ADJUSTMENT BOLT HOLE OF THROTTLE LINKAGE UNTIL 1/2" OF BOLT REMAINS VISIBLE.

McElroy Manufacturing Parts List

Part Number: 1880001 412/618 GFCI Gas Power Assembly

Part Number 1880001 Component List

Item	Component	Description	Quantity	Unit	Price
1	MAB00064	3/8-16NCX1LG Hhcs	4.0	EA	0.49
2	MAB00066	3/8-16NCX1-1/2LG Hhcs	6.0	EA	0.64
3	MAH00109	1/4-20NCX3/4 Hwh TC Screw SS	4.0	EA	1.22
4	MBA00005	1/4-20NC Fnsh Hex Nut Stl PL	4.0	EA	0.32
5	MBA00007	3/8-16NC Fnsh Hex Nut Stl PL	10.0	EA	0.29
6	MBE00005	1/4 Reg Splt Lck Washer Stl PL	4.0	EA	0.10
7	MBE00007	3/8 Reg Splt Lck Wshr Stl PL	10.0	EA	0.12
8	MBF00007	3/8 TY 'a' Wide FL Wshr Stl PL	4.0	EA	0.11
9	MBG00031	1/4 Fender Washer Stl PL	4.0	EA	0.31
10	MLL00052	#14 Mtw/tew Wire, White	0.5	FT	0.54
11	MDA00034	19 HP Kohler Motor	1.0	EA	4,080.00
12	T1217801	412/618/TracStar 28 GFCI Generator Assembly	1.0	EA	1,881.00
13	MDD00005	3V,2GR,4.50 Od,tl, V-grv Shv	1.0	EA	49.00
14	MDD00013	3V,4GR,6.00 Od,tl, V-grv Shv	1.0	EA	137.00
15	MDD00054	3V,2GR,3.65 Od,tl, V-grv Shv	1.0	EA	92.00
16	MDE00010	3VX-425 V-belt	2.0	EA	22.54
17	MDE00029	3VX-335 V-belt	2.0	EA	20.91
18	MDI00001	#1610, 1-1/8B, TL Hub	1.0	EA	38.00
19	MDI00008	#2517, 1-1/2B, TL Hub	1.0	EA	59.00
20	MHA00012	1/4 Tube Clamp	4.0	EA	3.27
21	MAB00099	7/16-14NCX1-1/4LG Hhcs	2.0	EA	0.60
22	MDI00018	#1610,24MM B TI Hub	1.0	EA	29.00
23	MJQ00260	Std 8-1/2X11 Literature Compt	1.0	EA	67.12
24	MKG00014	12V Battery	1.0	EA	0.00
25	MLN00399	Battery Toe Clamp	1.0	EA	9.16
26	MLN00400	Battery Terminal Cover Set (Effective to 10/6/11)	1.0	EA	12.12
27	1857501	12/18 Red Battery Cable Mod	1.0	EA	79.91
28	MDA00037	Muffler for MDA00034	1.0	EA	283.00
29	1824101	Start Switch Panel	1.0	EA	77.71
30	MLN00175	1/4 X 1/2OD Seal Washer	2.0	EA	1.22
31	1879801	Obsolete & Replaced by 1879802 (Effective to 4/10/22)	1.0	EA	0.00
31	1879802	412/618 GFCI Receptacle Assembly	1.0	EA	1,592.00
32	MDA00035	Coated Choke Cable	1.0	EA	53.89
33	MDA00184	3.5" Carb Ratcheting Cap	1.0	EA	32.00
34	MBH00087	Unthrd Female Aluminum Spacer (Effective to 10/6/11)	2.0	EA	7.87
35	MAH00036	#6-32NCX3/8LG Hwh TC Scr	2.0	EA	0.35
36	MAB00005	1/4-20NCX1-1/4LG Hhcs (Effective to 10/6/11)	1.0	EA	0.30
37	816348	Motor On/off/start/choke Label	1.0	EA	10.87
38	8163121	McElroy Label	1.0	EA	31.46
39	1878801	5 Gallon Carb Fuel Tank	1.0	EA	353.00
40	1857502	12/18 Black Battery Cable Mod	1.0	EA	66.37
41	1855201	Gas Belt Guard Weldment	1.0	EA	552.00
42	1855202	Kohler Cmd Frt Belt Guard Wld	1.0	EA	269.00
43	MAB00036	5/16-18NCX1-3/4LG Hhcs	1.0	EA	0.54
44	MBF00006	5/16TY 'a' Wide FL Wshr Stl PL	2.0	EA	0.11
45	MBE00006	5/16 Reg Splt Lck Wshr Stl PL	7.0	EA	0.11
46	MBA00006	5/16-18NC Fnsh Hex Nut Stl PL	5.0	EA	0.33
47	816349	Oil Type Notice Label	1.0	EA	8.46
48	MAB00004	1/4-20NCX1LG Hhcs	2.0	EA	0.32
49	MAC00058	1/4-20NCX1-3/4LG Shcs PL (Effective to 10/6/11)	1.0	EA	1.07
54	MCK00053	3/8X3/8X1-1/4LG Key,sq Ends	1.0	EA	3.65
55	MCK00038	1/4X1/4X1LG Key,sq Ends	1.0	EA	3.01

McElroy Manufacturing Parts List

Part Number: 1880001 412/618 GFCI Gas Power Assembly

56	1824501	Eng Linkage Cover W/ Hardware (Effective to 10/10/13)	1.0 EA	32.88
56	1824502	Engine Linkage Cover	1.0 EA	22.37
57	MAB00033	5/16-18NCX1LG Hhcs	5.0 EA	0.42
58	MBG00057	1/4" Ext Tooth Lock Washer	2.0 EA	0.11
59	MAL00007	1/4-20NCX3/4LG Hwh TF Screw	2.0 EA	1.03
60	MLK00077	1/2 Strain Relief	1.0 EA	19.54
61	1871501	Fuel Tank Cover	1.0 EA	149.00
63	MBA00026	5/16-24NF Fnsh Hex Nut Stl PL	1.0 EA	0.31
64	816303	Engine Prestart Notice Label	1.0 EA	10.23
66	MAB00003	1/4-20NCX3/4LG Hhcs	5.0 EA	0.31
67	MBB00006	5/16-18NC Fnsh Jam Nut Stlpl	1.0 EA	0.10
68	MBC00005	1/4-20NC Fnsh Hex Nyl Lck Nut	1.0 EA	0.81
69	816342	Safety Instr Manual Label	1.0 EA	0.00
70	MBA00008	7/16-14NC Fnsh Hex Nut Stl PL	2.0 EA	1.02
71	MDC00050	Panel Screw MDC00027/MDC00029	2.0 EA	0.95
72	1824401	Muffler Guard Assembly	1.0 EA	504.00
73	MCH00001	1/8DIAX1LG Cotter Pin (Effective to 3/31/20)	2.0 EA	0.12
73	MCH00002	1/8DIAX1-1/2LG Cotter Pin	2.0 EA	0.12
74	MAB00157	5/16-24NFX1LG Hhcs	1.0 EA	0.47
76	MHA00025	Fuelhose 1/4ID(6.3MM) SAE30R7	1.166 FT	4.98
77	MBF00008	7/16TY 'a' Wide FL Wshr Stl PL	2.0 EA	0.12
78	MBE00008	7/16 Reg Splt Lck Wshr Stl PL	2.0 EA	0.12
79	T804301	Unleaded Fuel Label	1.0 EA	5.11
80	1866901	Engine Drain Hose Assembly with Fittings (Effective to 3/30/17)	1.0 EA	0.00
81	8163190	Epa Evap Label	1.0 EA	0.00
82	MLN00488	Red Terminal Cover	1.0 EA	7.80
83	MLN00489	Black Terminal Cover	1.0 EA	8.47
84	MDL00234	Trim Strip (Effective 7/25/13 to 3/10/14)	1.0 FT	4.51
84	MDL00242	1/4" Edge Trim	1.0 FT	2.17
85	MAL00022	M5-.8X16MMLG Thrd Form Scr Znc	2.0 EA	0.51
86	1880801	Engine Drain Fitting Assy	1.0 EA	66.12
87	MDA00306	Inlet Strainer for 1878801	1.0 EA	29.00
88	MAR00009	M4-.7X16MMLG Hhcs	1.0 EA	0.00
89	T5042903	Spare Fuse Holder Assy	1.0 EA	0.00
90	MLQ00078	15 Amp Non-rejection Fuse	2.0 EA	37.00
91	MBF00005	1/4 TY 'a' Wide FL Wshr Stl PL	2.0 EA	0.11
100	MFB00052	6MJIC Plug (Effective 3/31/17 to 6/21/17)	1.0 EA	0.00
101	MFB00192	6MPT/6FSJIC Adapter (Effective 3/31/17 to 6/21/17)	1.0 EA	29.68
102	MFB00225	6MJIC/6FSJIC Long Elbow (Effective 3/31/17 to 6/21/17)	1.0 EA	0.00

Please visit <https://fusion.mcelroy.com/parts> to purchase parts or for more information.



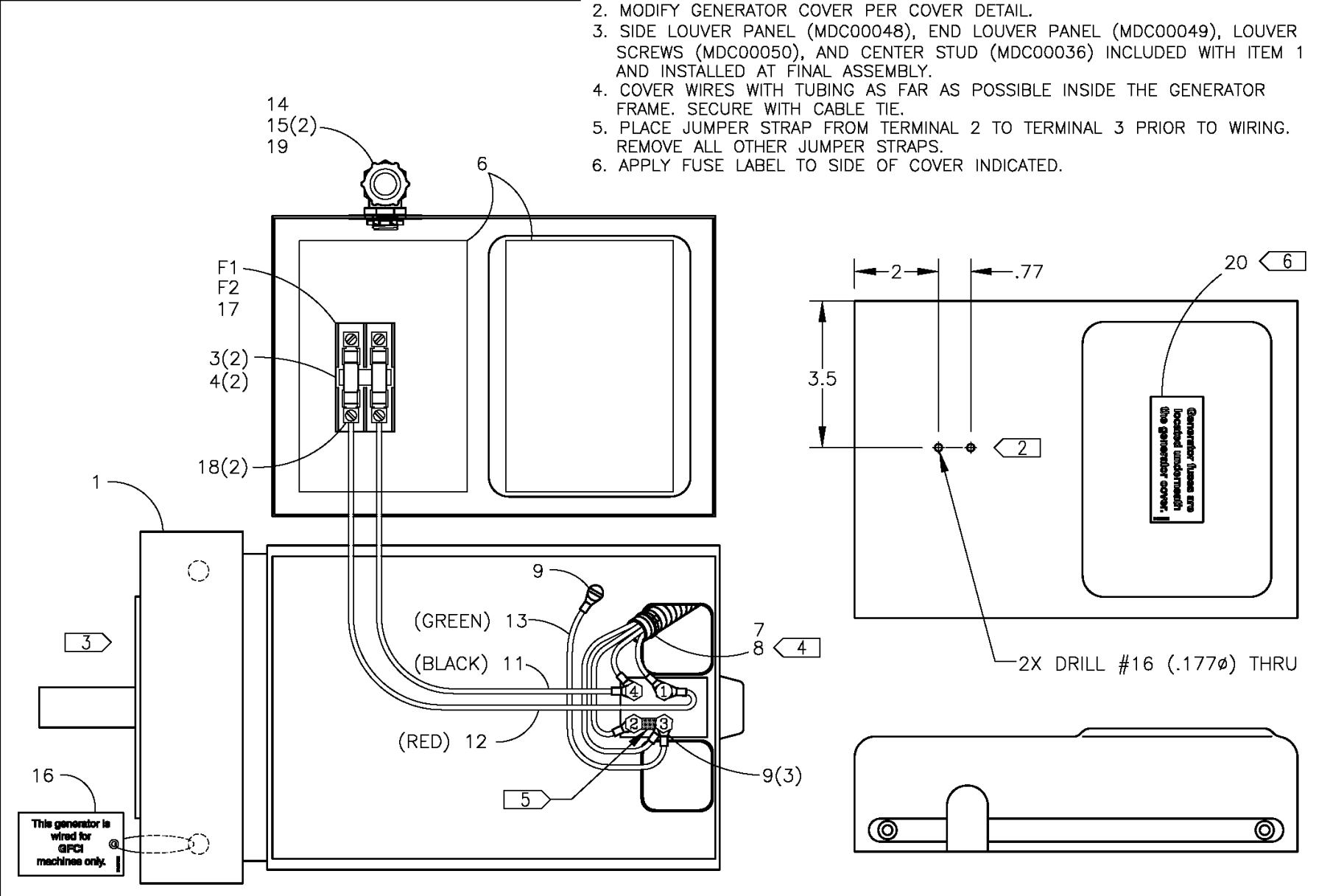
McElroy Manufacturing, Inc.
 The leader by design.
 Tulsa, Oklahoma U.S.A.

DRAWN: BEA	CHECK: MJA	APPRV'D: JRP	DATE: 11/5/10	DWG No: T1217800	SHT No: 1	REV No: F	PART No: T1217801
#412 / #618 / T28 GFCI GENERATOR ASSEMBLY							CAD No: T1217801

NOTE: THIS DRAWING AND THE INFORMATION CONTAINED THEREIN IS THE CONFIDENTIAL AND PROPRIETARY PROPERTY OF McElroy Manufacturing, Inc. THE DRAWING IS NOT TO BE REPRODUCED IN ANY MANNER, SUBMITTED OUTSIDE PARTIES FOR EXAMINATION, OR USED DIRECTLY OR INDIRECTLY FOR THE PURPOSES OTHER THAN THOSE FOR WHICH IT WAS FURNISHED WITHOUT WRITTEN PERMISSION OF McElroy Manufacturing, Inc.

NOTES:

1. ITEMS SHOWN IN PARENTHESIS REFLECT QUANTITIES IN A LOCAL GROUP AND MAY NOT INDICATE TOTAL ASSEMBLY QUANTITIES.
2. MODIFY GENERATOR COVER PER COVER DETAIL.
3. SIDE LOUVER PANEL (MDC00048), END LOUVER PANEL (MDC00049), LOUVER SCREWS (MDC00050), AND CENTER STUD (MDC00036) INCLUDED WITH ITEM 1 AND INSTALLED AT FINAL ASSEMBLY.
4. COVER WIRES WITH TUBING AS FAR AS POSSIBLE INSIDE THE GENERATOR FRAME. SECURE WITH CABLE TIE.
5. PLACE JUMPER STRAP FROM TERMINAL 2 TO TERMINAL 3 PRIOR TO WIRING. REMOVE ALL OTHER JUMPER STRAPS.
6. APPLY FUSE LABEL TO SIDE OF COVER INDICATED.



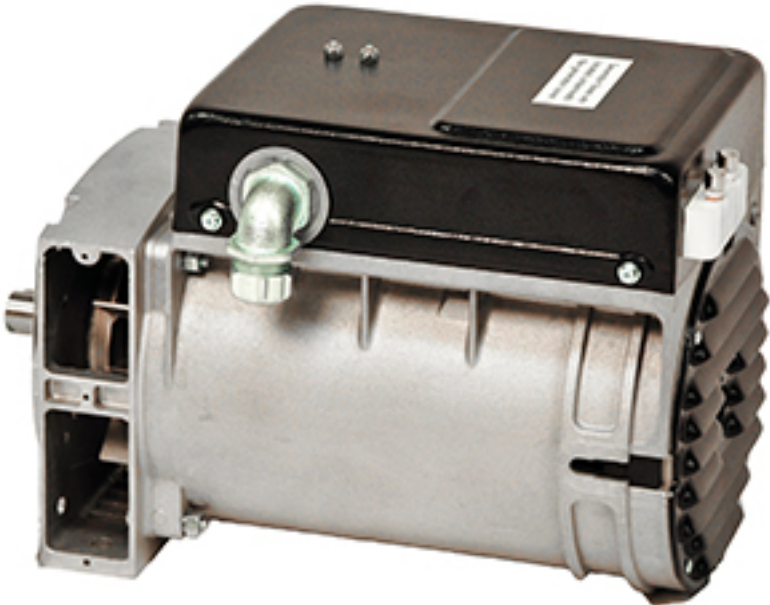
This generator is wired for GFCI machine only.

McElroy Manufacturing Parts List

Part Number: T1217801 412/618/TracStar 28 GFCI Generator Assembly (SEE ADDITIONAL DOCUMENTS BELOW)



412/618/128 gfc gen assy



412/618/t28 gfc gen assy

Part Number T1217801 Component List

Item	Component	Description	Quantity	Unit	Price
F1	MLQ00078	15 Amp Non-rejection Fuse	1.0	EA	37.00
F2	MLQ00078	15 Amp Non-rejection Fuse	1.0	EA	37.00
1	MDC00027	5KVA 60/120/240V,60HZ AC Gen	1.0	EA	1,319.00

McElroy Manufacturing Parts List

Part Number: T1217801 412/618/TracStar 28 GFCI Generator Assembly (SEE ADDITIONAL DOCUMENTS BELOW)

2	MLR00032	Panel Mount Fuse Holder (Effective to 11/7/11)	2.0 EA	38.89
3	MAH00034	#8-32NCX1/2LG Rhsm	2.0 EA	1.11
4	MBC00003	#8-32NC Mach Scr Nyl Lck Nut	2.0 EA	0.39
5	MLR00033	Spare Fuse Holder (Effective to 9/23/20)	1.0 EA	28.14
6	MJQ00381	Damping Sheet	0.03 EA	88.54
7	MLW00011	1/2DIA Split Corrugated Tubing	0.13 FT	0.00
8	MLN00113	5.5" X .095" Cable Tie	1.0 EA	0.16
9	MLM00133	14-16 X #10 Ring Terminal	4.0 EA	0.79
10	MLM00017	14-16 X 1/4 Female Disconnect (Effective to 11/7/11)	2.0 EA	2.76
11	MLL00002	#14 Mtw/tew Elec Wire, Black	1.0 FT	0.00
12	MLL00058	#14 Mtw/tew Wire, Red	1.0 FT	0.55
13	MLL00053	#14 Mtw/tew Wire,	0.5 FT	0.00
14	MLK00040	3/4 X 90DEG Strain Relief Conn	1.0 EA	54.88
15	MLJ00082	1-1/4X3/4 Reducer Washer	2.0 EA	2.24
16	8163189	Gfci Generator Label	1.0 EA	5.60
17	MLR00042	Non-rejection Fuse Block	1.0 EA	45.28
18	MLM00218	#14 X 8MM Insulated Ferrule	2.0 EA	0.81
19	MLN00362	3/4" Elec Lock Nut	1.0 EA	1.21
20	8163203	Gen Cover Fuse Locator Label	1.0 EA	10.23

Please visit <https://fusion.mcelroy.com/parts> to purchase parts or for more information.

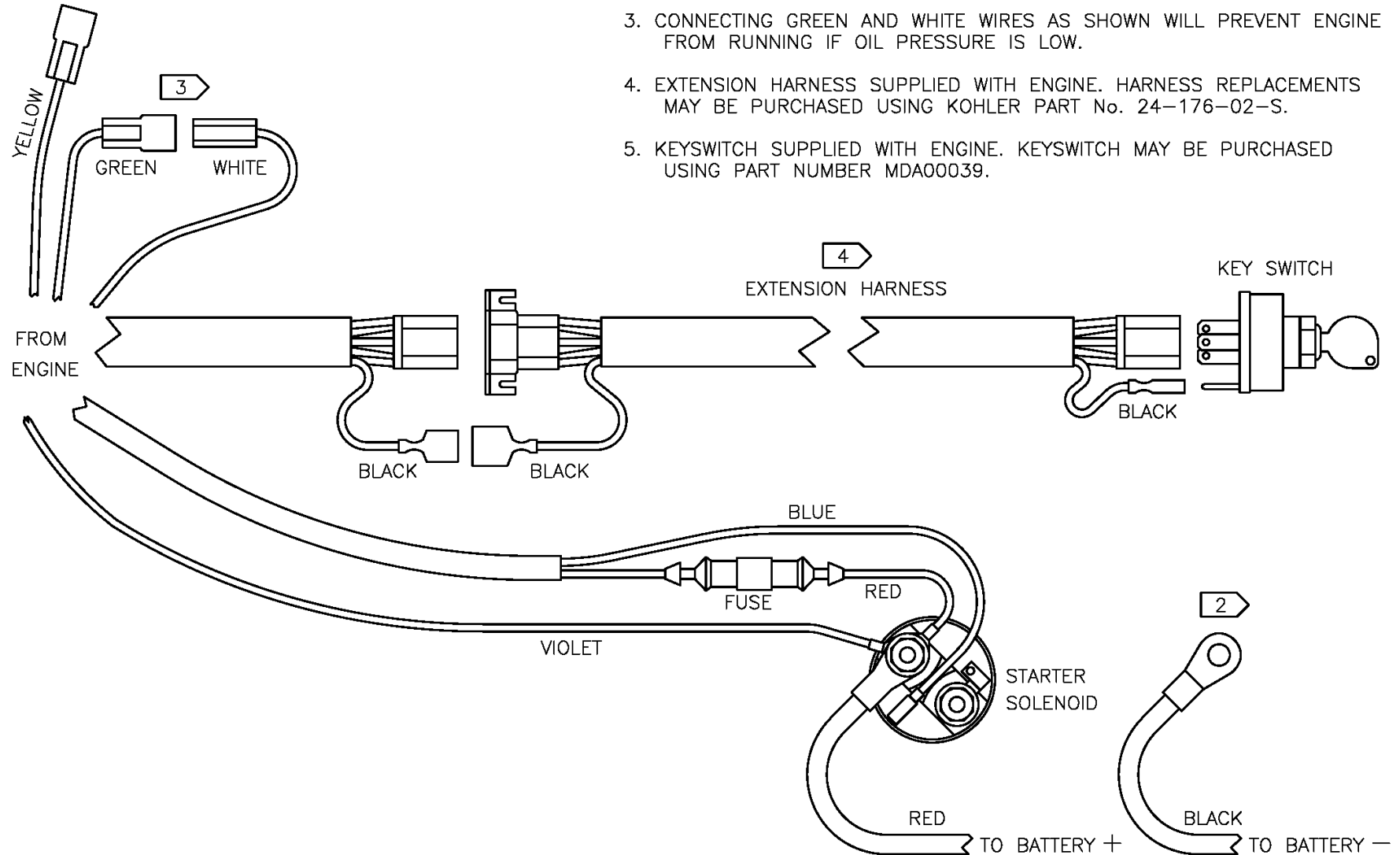


NOTE: THIS DRAWING AND THE INFORMATION CONTAINED THEREIN IS THE CONFIDENTIAL AND PROPRIETARY PROPERTY OF McElroy Manufacturing, Inc. THE DRAWING IS NOT TO BE REPRODUCED IN ANY MANNER, SUBMITTED OUTSIDE PARTIES FOR EXAMINATION, OR USED DIRECTLY OR INDIRECTLY FOR THE PURPOSES OTHER THAN THOSE FOR WHICH IT WAS FURNISHED WITHOUT WRITTEN PERMISSION OF McElroy Manufacturing, Inc.

NOTES:

1. USE FOR KOHLER COMMAND CH18S ENGINE (MDA00034).
2. BOLT NEGATIVE BATTERY LEAD TO ENGINE BLOCK.
3. CONNECTING GREEN AND WHITE WIRES AS SHOWN WILL PREVENT ENGINE FROM RUNNING IF OIL PRESSURE IS LOW.
4. EXTENSION HARNESS SUPPLIED WITH ENGINE. HARNESS REPLACEMENTS MAY BE PURCHASED USING KOHLER PART No. 24-176-02-S.
5. KEYSWITCH SUPPLIED WITH ENGINE. KEYSWITCH MAY BE PURCHASED USING PART NUMBER MDA00039.

NO CONNECTION



McElroy Manufacturing Parts List

Part Number: 1856001 12/18 Kohler Engine Wiring Diagram

Please visit <https://fusion.mcelroy.com/parts> to purchase parts or for more information.

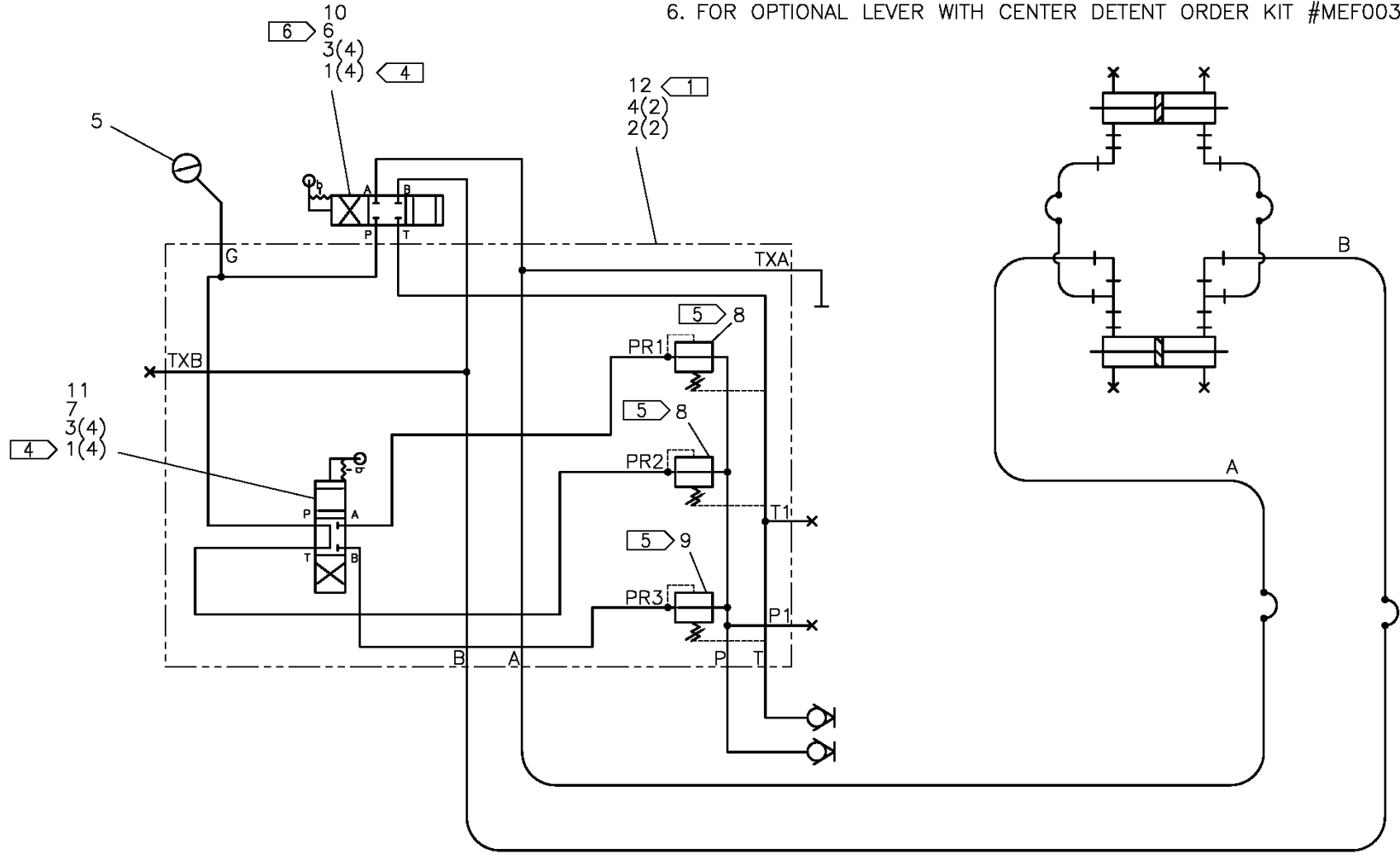




NOTE: THIS DRAWING AND THE INFORMATION CONTAINED THEREIN IS THE CONFIDENTIAL AND PROPRIETARY PROPERTY OF McElroy Manufacturing, Inc. THE DRAWING IS NOT TO BE REPRODUCED IN ANY MANNER, SUBMITTED TO OUTSIDE PARTIES FOR EXAMINATION, OR USED DIRECTLY OR INDIRECTLY FOR THE PURPOSES OTHER THAN THOSE FOR WHICH IT WAS FURNISHED WITHOUT WRITTEN PERMISSION OF McElroy Manufacturing, Inc.

NOTES:

1. THIS ITEM IS A SUB-ASSEMBLY ON A SEPARATE DRAWING.
2. ITEMS SHOWN IN PARENTHESIS REFLECT QUANTITIES IN A LOCAL GROUP AND MAY NOT INDICATE TOTAL ASSEMBLY QUANTITIES.
- 3.
4. TIGHTEN DIRECTIONAL VALVE MOUNTING SCREWS TO 4-5 FT-LBS. (48-60IN-LBS)
5. REDUCING VALVE INSTALLATION TORQUE 30-35 FT-LBS.
6. FOR OPTIONAL LEVER WITH CENTER DETENT ORDER KIT #MEF00322



McElroy Manufacturing Parts List

Part Number: T1201001 TracStar 412 / TracStar 28 HF Carriage Hydraulic Schematic

Part Number T1201001 Component List

Item	Component	Description	Quantity	Unit	Price
1	MAN00008	#10-24NCX1LG Shcs SS	8.0	EA	0.72
2	MAB00064	3/8-16NCX1LG Hhcs	2.0	EA	0.49
3	MBE00004	#10 Reg Splt Lck Washer Stl PL	8.0	EA	0.10
4	MBE00007	3/8 Reg Splt Lck Wshr Stl PL	2.0	EA	0.12
5	MEE00003	1500PSI/BAR Pressure Gauge	1.0	EA	113.00
6	MEF00013	Replaced by AT5060601 (Effective 1/6/04 to 2/12/13)	1.0	EA	0.00
6	MEF00241	VMD03M Directional Valve (4A)	1.0	EA	691.00
7	MEF00014	Replaced by AT5060602 (Effective 1/6/04 to 2/12/13)	1.0	EA	0.00
7	MEF00242	VMD03M Directional Valve (4L)	1.0	EA	594.00
8	MEG00001	Reducing Valve	2.0	EA	185.00
9	MEG00002	Reducing Valve	1.0	EA	218.00
10	8163104	Carriage Open/close Label (Effective 6/24/04 to 2/12/13)	1.0	EA	12.82
10	8163218	Carriage Open/close Label	1.0	EA	5.01
11	8163105	Selector Valve Label (Effective 6/24/04 to 2/12/13)	1.0	EA	10.23
11	8163211	Selector Valve Label	1.0	EA	5.01
12	1814002	Carriage Manifold Assembly	1.0	EA	1,109.00

Please visit <https://fusion.mcelroy.com/parts> to purchase parts or for more information.

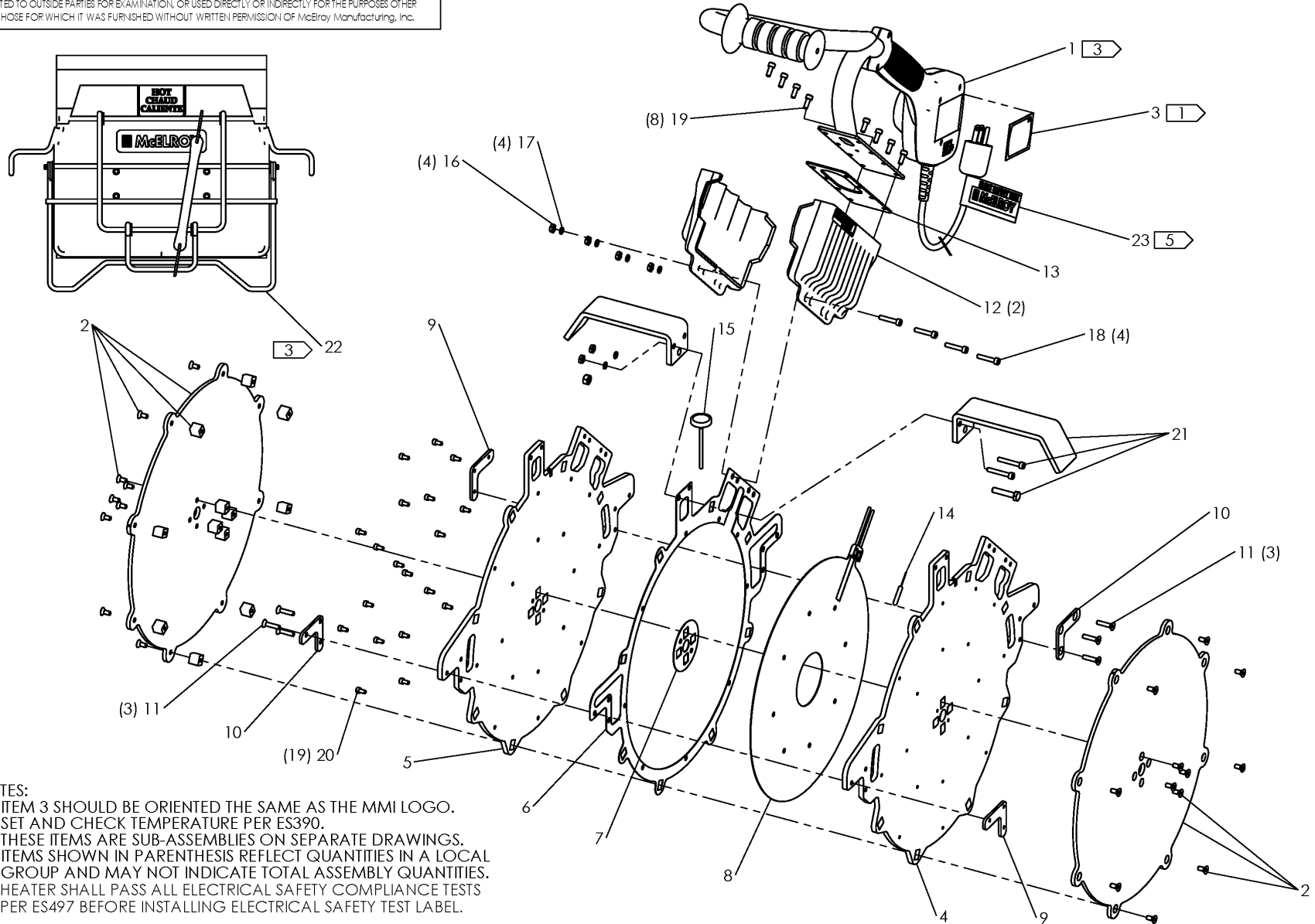


McElroy Manufacturing, Inc.
The leader by design.
Tulsa, Oklahoma U.S.A.

DRAWN: BWW CHECK: TMT APPR'VD: JRP DATE: 4/05/02 SHT No: 12 REV No: G PART No: 1242112

#412 HEATER ASSEMBLY 220-240V, 50/60Hz, 1 Ph

NOTE: THIS DRAWING AND THE INFORMATION CONTAINED THEREIN IS THE CONFIDENTIAL AND PROPRIETARY PROPERTY OF McElroy Manufacturing, Inc. THE DRAWING IS NOT TO BE REPRODUCED IN ANY MANNER, SUBMITTED TO OUTSIDE PARTIES FOR EXAMINATION, OR USED DIRECTLY OR INDIRECTLY FOR THE PURPOSES OTHER THAN THOSE FOR WHICH IT WAS FURNISHED WITHOUT WRITTEN PERMISSION OF McElroy Manufacturing, Inc.



NOTES:

1. ITEM 3 SHOULD BE ORIENTED THE SAME AS THE MMI LOGO.
2. SET AND CHECK TEMPERATURE PER ES390.
3. THESE ITEMS ARE SUB-ASSEMBLIES ON SEPARATE DRAWINGS.
4. ITEMS SHOWN IN PARENTHESIS REFLECT QUANTITIES IN A LOCAL GROUP AND MAY NOT INDICATE TOTAL ASSEMBLY QUANTITIES.
5. HEATER SHALL PASS ALL ELECTRICAL SAFETY COMPLIANCE TESTS PER ES497 BEFORE INSTALLING ELECTRICAL SAFETY TEST LABEL.

McElroy Manufacturing Parts List

Part Number: 1242112 Obsolete & Replaced by 1284501 (412 220-240V,50/60Hz,1Ph Heater Assembly) ((4/2002-2/2020))



12 220-240,50/60,1 heater assy

Part Number 1242112 Component List

Item	Component	Description	Quantity	Unit	Price
1	1862601	8-18 220-240V Heater Handle/Controller Assembly	1.0	EA	452.00
2	A1242108	12 Heater Butt Plate Kit	1.0	EA	855.00
3	816395	Model 1242112 Part NO Label	1.0	EA	11.94
4	1242103	Right Heater Body	1.0	EA	714.00
5	1242104	Left Heater Body	1.0	EA	714.00
6	1242105	Heater O.d. Spacer	1.0	EA	108.00
7	1242106	Heater I.d. Spacer	1.0	EA	14.35
8	1242201	240V Mica/foil Heater Element	1.0	EA	885.00
9	1852011	Tapped Htr Guide Rod Sprt Bkt	2.0	EA	39.26
10	1852012	C'sunk Htr Guide Rod Sprt Bkt	2.0	EA	39.26
11	MAN00036	#10-32NFX7/8LG Fhscs SS	6.0	EA	0.41
12	1863102	Htr Terminal Enclosure Half	2.0	EA	51.51
13	1808102	Htr Gasket	1.0	EA	5.03
14	MKI00003	1X3/16 316SS 100OHM Plat Rtd	1.0	EA	60.77
15	MJK00002	2.5LG,150-650DEG F Thermometer	1.0	EA	48.72
16	MBA00004	#10-24NC Hex Nut Stl PL	4.0	EA	0.35
17	MBE00004	#10 Reg Splt Lck Washer Stl PL	4.0	EA	0.10
18	MAN00008	#10-24NCX1LG Shcs SS	4.0	EA	0.72
19	MAH00046	#10-24NCX1/2LG Shcs SS	8.0	EA	1.12
20	MAN00023	#8-32NCX5/16LG Shcs SS	19.0	EA	0.41
21	A1242107	Heater Stripper Bar Kit	1.0	EA	188.00
22	1234202	Heater Bag Assembly	1.0	EA	838.00
23	8163210	Electrical Safety Test Label	1.0	EA	0.00

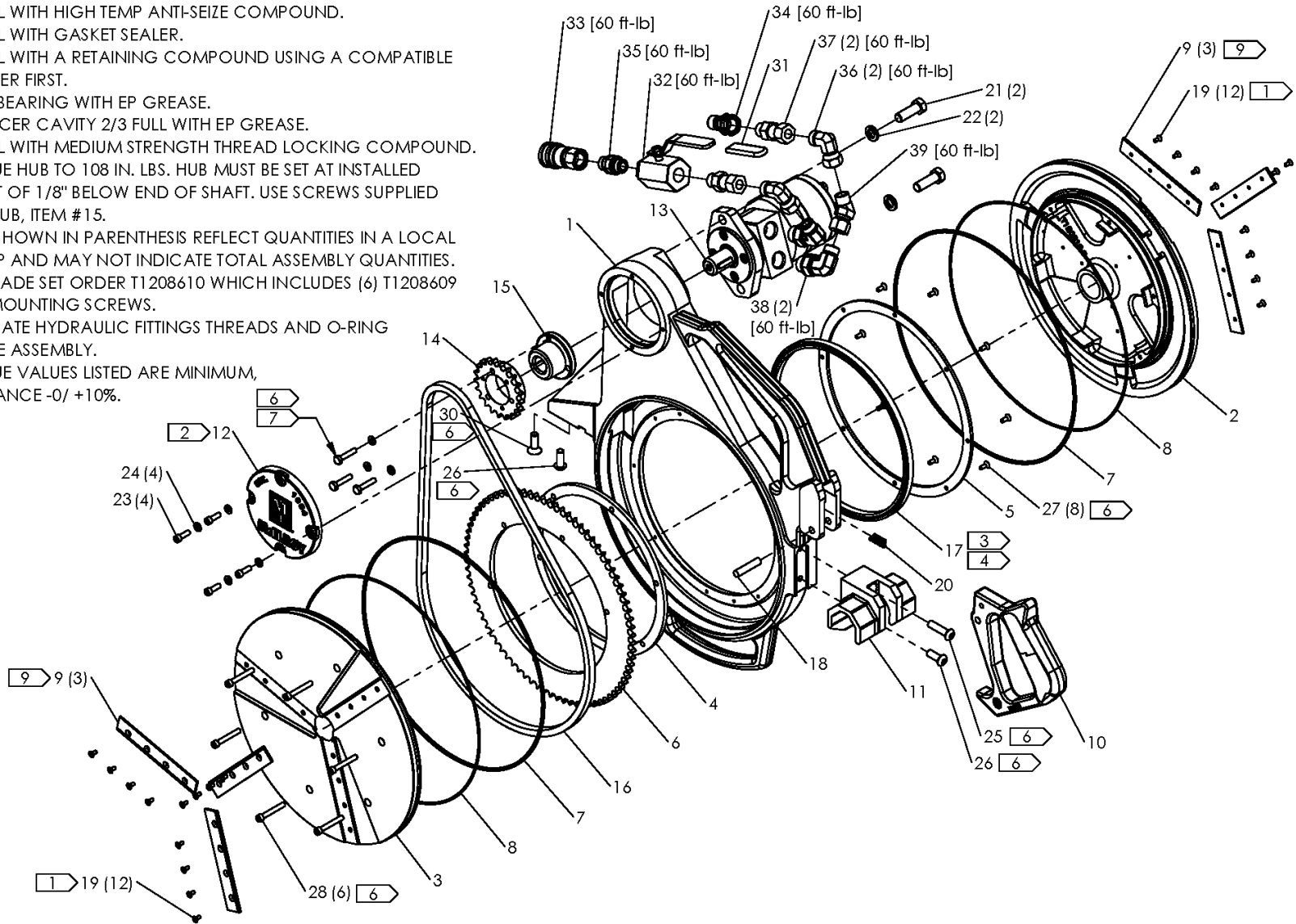
Please visit <https://fusion.mcelroy.com/parts> to purchase parts or for more information.

TracStar® 412 FACER ASSEMBLY

NOTE: THIS DRAWING AND THE INFORMATION CONTAINED THEREIN IS THE CONFIDENTIAL AND PROPRIETARY PROPERTY OF McElroy Manufacturing, Inc. THE DRAWING IS NOT TO BE REPRODUCED IN ANY MANNER, SUBMITTED TO OUTSIDE PARTIES FOR EXAMINATION, OR USED DIRECTLY OR INDIRECTLY FOR THE PURPOSES OTHER THAN THOSE FOR WHICH IT WAS FURNISHED WITHOUT WRITTEN PERMISSION OF McElroy Manufacturing, Inc.

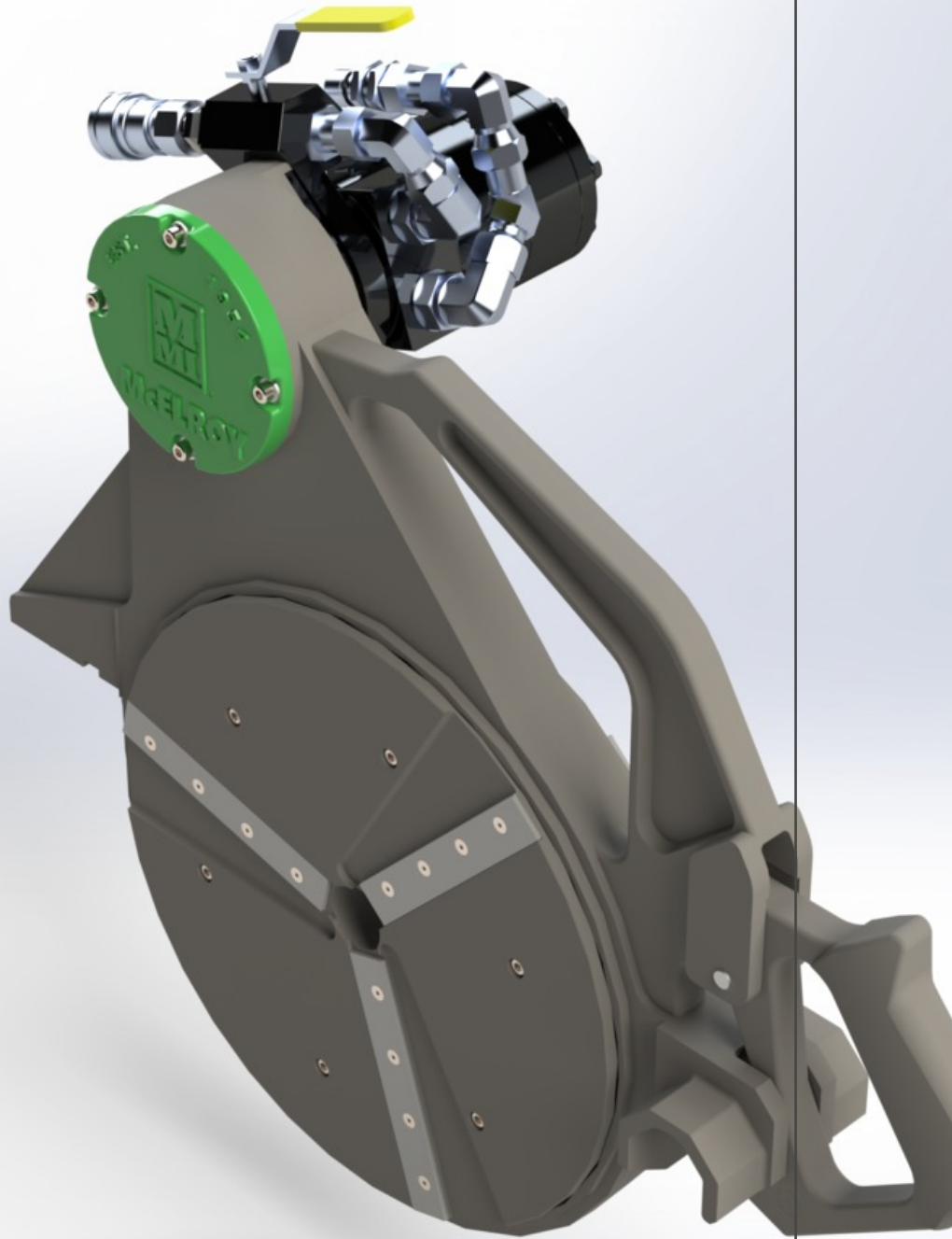
NOTES:

1. INSTALL WITH HIGH TEMP ANTI-SEIZE COMPOUND.
2. INSTALL WITH GASKET SEALER.
3. INSTALL WITH A RETAINING COMPOUND USING A COMPATIBLE CLEANER FIRST.
4. PACK BEARING WITH EP GREASE.
5. FILL FACER CAVITY 2/3 FULL WITH EP GREASE.
6. INSTALL WITH MEDIUM STRENGTH THREAD LOCKING COMPOUND.
7. TORQUE HUB TO 108 IN. LBS. HUB MUST BE SET AT INSTALLED HEIGHT OF 1/8" BELOW END OF SHAFT. USE SCREWS SUPPLIED WITH HUB, ITEM # 15.
8. ITEMS SHOWN IN PARENTHESES REFLECT QUANTITIES IN A LOCAL GROUP AND MAY NOT INDICATE TOTAL ASSEMBLY QUANTITIES.
9. FOR BLADE SET ORDER T1208610 WHICH INCLUDES (6) T1208609 AND MOUNTING SCREWS.
10. LUBRICATE HYDRAULIC FITTINGS THREADS AND O-RING BEFORE ASSEMBLY.
11. TORQUE VALUES LISTED ARE MINIMUM, TOLERANCE -0/ +10%.



McElroy Manufacturing Parts List

Part Number: T1200501 TracStar 412 Facer Assembly



T412 facer assy

Part Number T1200501 Component List

Item	Component	Description	Quantity	Unit	Price
1	T1208002	Facer Body	1.0	EA	1,801.00
2	T1208102	Tapped Blade Holder	1.0	EA	1,378.00
3	T1208103	C'bored Blade Holder	1.0	EA	1,378.00
4	T1208201	Bearing Spacer	1.0	EA	106.00
5	T1208301	Bearing Retainer	1.0	EA	191.00
6	T1208401	Driven Sprocket	1.0	EA	221.00
7	T1208501	Facer Seal Ring	2.0	EA	52.00
8	T1208502	Facer Body O'ring	2.0	EA	5.79

McElroy Manufacturing Parts List

Part Number: T1200501 TracStar 412 Facer Assembly

9	T1208609	6.12 LG Facer Blade	6.0 EA	129.00
10	T5008801	Replaced by T5008803 (Effective 10/2/00 to 6/6/13)	1.0 EA	0.00
10	T5008803	Fcr Latch Handle	1.0 EA	354.00
11	T5004901	Fcr Guide Rod Bracket W/hdwr (Effective 1/15/01 to 3/11/13)	1.0 EA	166.00
11	T5004905	Obs & Repl by T12P1033249 (Effective 3/12/13 to 8/12/24)	1.0 EA	0.00
11	T12P1033249	Facer Guide Rod Bracket	1.0 EA	166.00
12	1231102	Cover Plate	1.0 EA	90.24
13	MEC00004	1"SHT,1/4K,11.9CID Hyd Mtr	1.0 EA	654.00
14	MDF00076	#40SH21 Sprocket	1.0 EA	64.00
15	MDH00002	1B, Type Sh, QD Hub	1.0 EA	28.00
16	AT1208701	Facer Roller Chain Assembly	1.0 EA	58.49
17	MDM00304	10" ID X 10.75" OD Bearing	1.0 EA	2,518.00
18	MCK00017	3/8DIA X 1-3/4LG Lock Pin Stl PL	1.0 EA	3.27
19	MAH00074	#8-32NC X 3/8LG Fhscs SS	24.0 EA	0.41
20	MJE00008	Die Spring	1.0 EA	6.35
21	MAB00069	1/2-13NC X 1-1/2LG Hhcs	2.0 EA	0.71
22	MBE00009	1/2 Reg Splt Lck Washer Stl PL	2.0 EA	0.17
23	MAH00052	1/4-20NC X 3/4"LG Shcs SS	4.0 EA	1.11
24	MBE00005	1/4 Reg Splt Lck Washer Stl PL	4.0 EA	0.10
25	MAN00056	3/8-16NC X 1-1/2LG Bhscs SS	1.0 EA	2.09
26	MAH00070	3/8-16NC X 1LG Bhscs SS	2.0 EA	2.45
27	MAD00031	#10-24NC X 1/2LG Fhscs	8.0 EA	1.11
28	MAH00051	1/4-20NC X 1-3/4LG Shcs SS	6.0 EA	1.23
29	T1801201	Facer Hydraulic/Plumbing Schematic (Effective 10/25/04 to 8/12/24)	1.0 EA	727.00
30	MAN00039	3/8-16NC X 1-1/2LG Fhscs SS (Effective 2/8/07 to 1/6/25)	1.0 EA	2.00
30	MAN00123	3/8-16NC X 1-1/8LG Fhscs SS	1.0 EA	0.00
31	816302	Fcr Valve Label Cap	1.0 EA	4.56
32	MEI00015	8SAE Ball Valve	1.0 EA	219.00
33	MFH00045	1/2 Fsae Quick Disc Coupler	1.0 EA	73.62
34	MFH00046	1/2 Fsae Quick Disc Nipple	1.0 EA	37.65
35	MFQ00004	8MSAE/8MSAE Adapter	1.0 EA	18.55
36	MFQ00005	8MSL/8FSL Swivel Elbow	2.0 EA	25.44
37	MFQ00021	8FSL/8MSAE Swivel Adapter	2.0 EA	32.87
38	MFQ00022	8MSL/10MSAE Elbow	2.0 EA	35.24
39	MFQ00051	8MSL/8FSL Swivel Elbow 45	1.0 EA	37.80

Please visit <https://fusion.mcelroy.com/parts> to purchase parts or for more information.